

WIRE COLOR

Main Voltage 400V

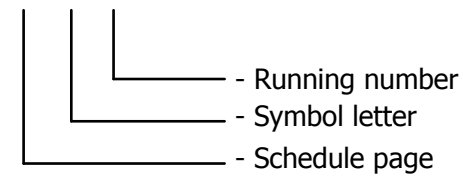
<u>Phase</u>	<u>Colors</u>
L1	- Black
L2	- Black
L3	- Black
Earth / PE	- Yellow/Green

Control Voltage

Plus (24VDC)	- White
Hook-up wire	- White
Minus / Ground (24VDC)	- White

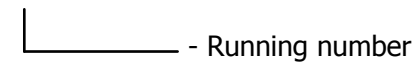
SYMBOL CODE

11 F 11



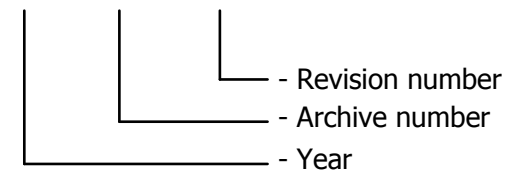
CORE CODE

11 11



DRAWING NUMBER

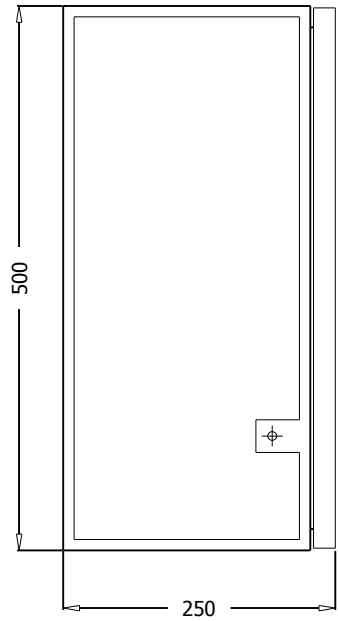
PJ##.####.##



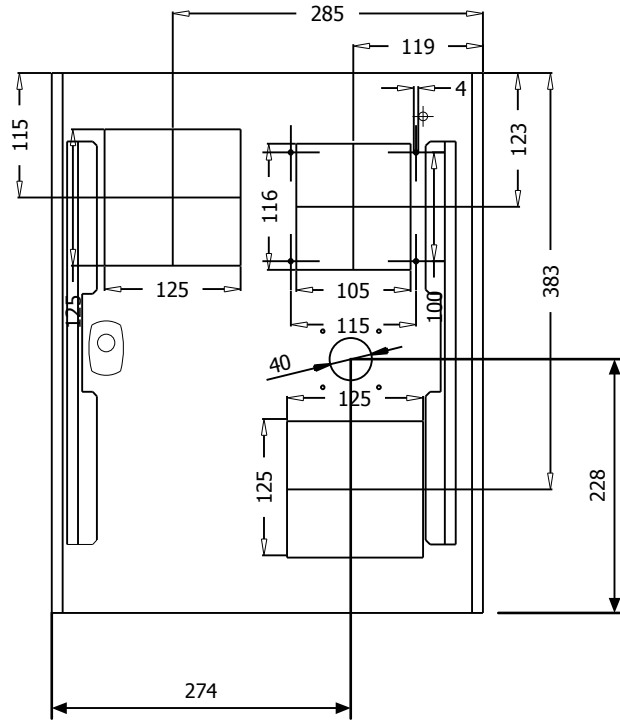
	auxiliary contact	hulpcontact		signal light	signaallamp		Safety fuse	smeltveiligheid
	Power contact	vermogenscontact		horn	hoorn		Fused switch, three-pole	schakelbare scheider
	NO contact, opens with time delay	maakcontact, vertraagd open		apm.meter	amperemeter		Fused disconnect, three-pole	scheider "klapbak"
	NO contact, closes with time delay	maakcontact, vertraagd sluitend		runninghour counter	urenteller		Main switch	hoofdschakelaar
	NC contact, opens with time delay	verbreekcontact, vertraagd open		transformer	transformator		Circuit breaker, single-pole	installatieautomaat 1-polig
	NC contact, closes with time delay	verbreekcontact, vertraagd sluitend		Contactor coil relay coil	spoel		Circuit breaker, two-pole	installatieautomaat 2-polig
	Pushbutton rebound	drukknop terugverend		Contactor/relay coil, with pick-up delay	Spoel met opkomvertraging		Circuit breaker, three-pole	installatieautomaat 3-polig
	Pushbutton locking	drukknop blijvend		Contactor/relay coil, with drop-out delay	spoel met afvalvertraging		Power circuit breaker motor overload switch with switch mechanism	motorbeveiligingsschakelaar
	Rotary switch rebound	tip draaischakelaar		Contactor pulse coil relay pulse coil,	spoel puls		Valve	elektrisch bediende klep
	Rotary switch locking	draaischakelaar		Tube light	TL verlichting		Resistor with movable contact	regelbare weerstand
	Emergency stop rotary unlock	noodstop met draaibare vrijgave		Resistor / Heating	weerstand verwarming		Terminal	rijgklem
	Thermostatic switch	thermostaat hygrostaat		Socket	wandcontactdoos		Terminal with fuse	rijgklem metzekering
	Pressure switch	drukschakelaar		Current transformer	stroomtransformator		Rectifier	gelijkrichter
	Limit switch	eindschakelaar						
	Proximity switch	naderingsschakelaar						

Modification	Date	Name	Date	12-8-2010	Project name:		Page description:	Symbol library	Customer:	Blastrac bv.	=
											+
					BMG-580 SC UL 3 x 230V				Drawing number:	PJ10.1051.03	Page

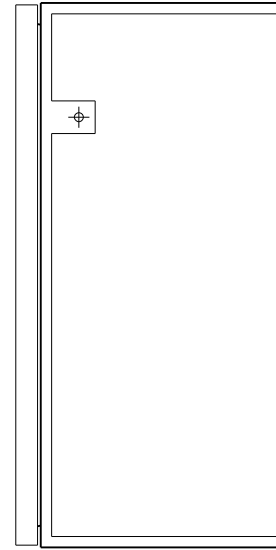
LEFTHAND VIEW



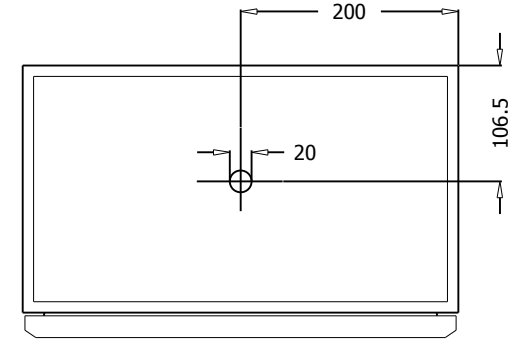
FRONT VIEW



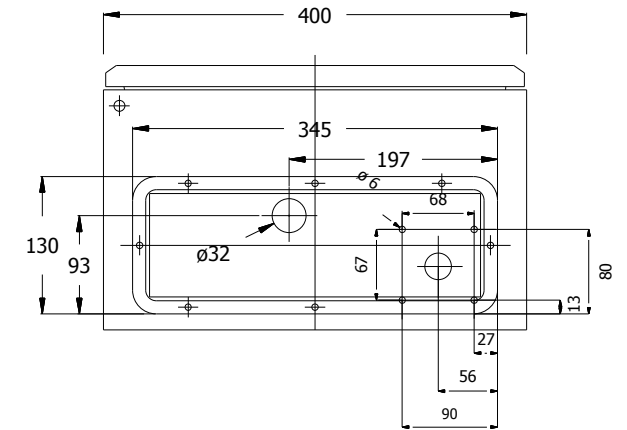
RIGHTHAND VIEW



TOP VIEW



BOTTOM VIEW



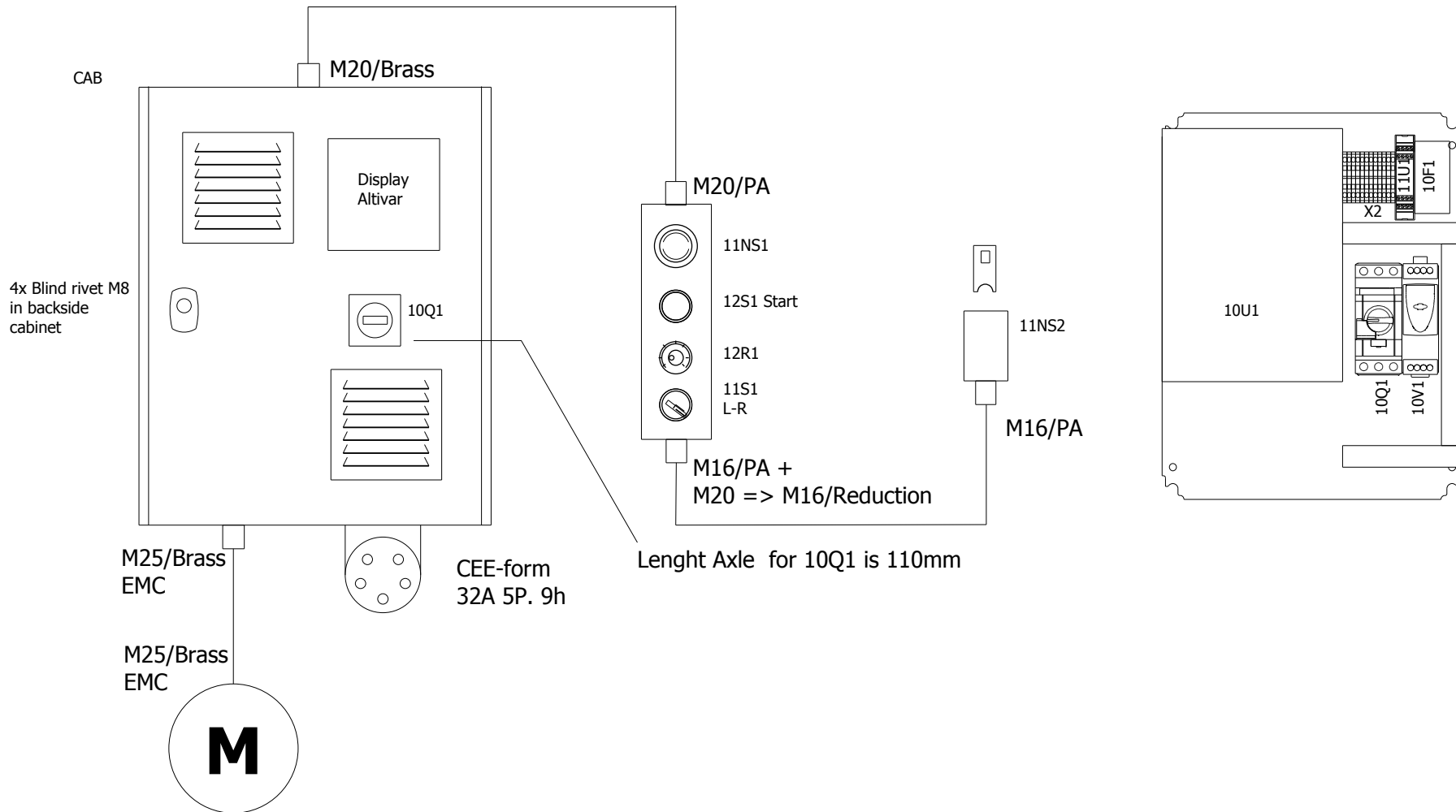
Modification	Date	Name	Last print	8-2-2011
			Date	26-10-2010
			Ed.	
			Appr	

Project name: **BMG-580 SC UL 3 x 230V**



Page description: **Panel Layout**

Customer: **Blastrac bv.**
 Drawing number: **PJ10.1051.03**



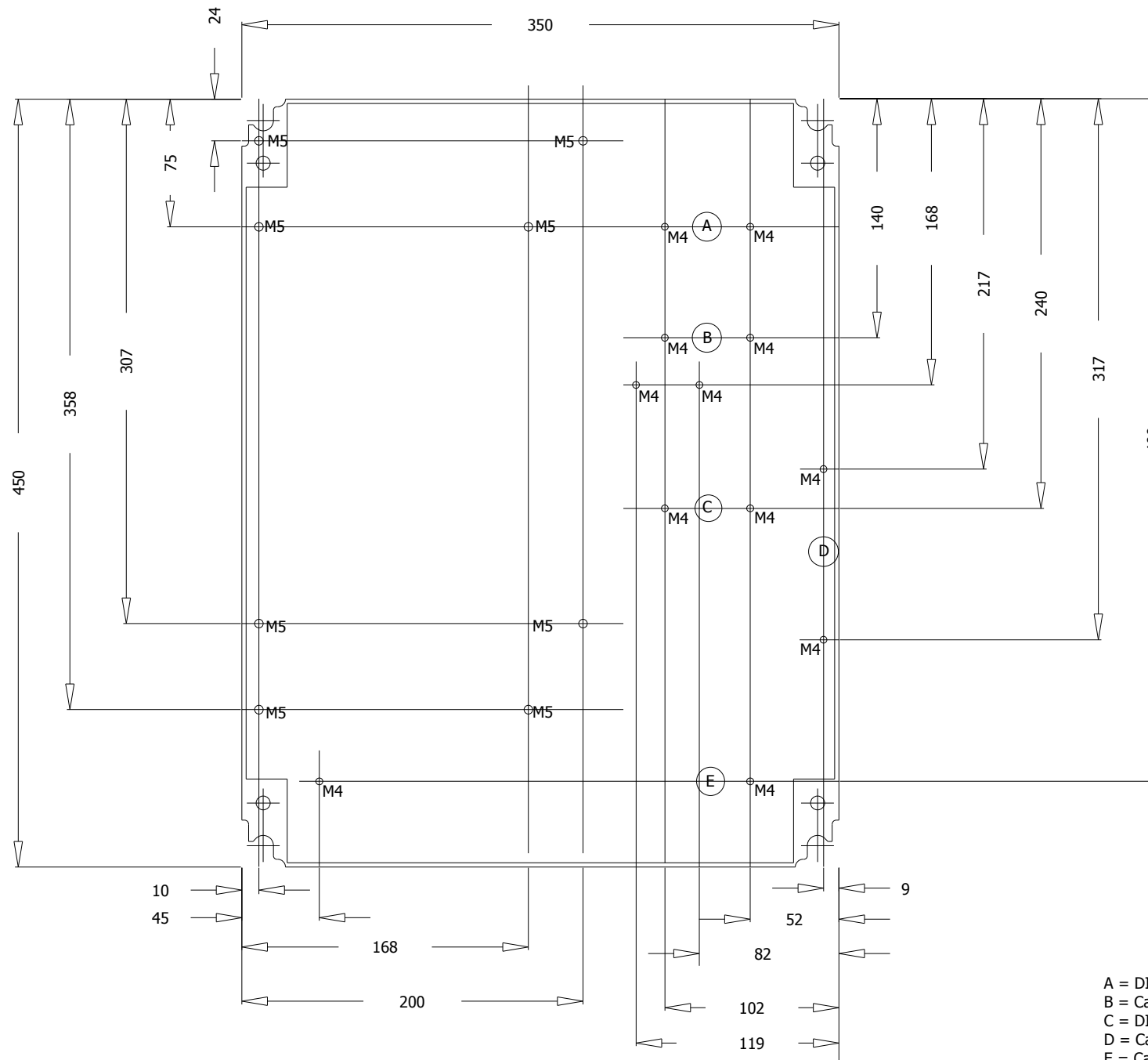
Modification	Date	Name	Last print	8-2-2011
			Date	26-10-2010
			Ed.	
			Appr	

Project name: **BMG-580 SC UL 3 x 230V**



Page description: **Panel Block diagram**

Customer: **Blastrac bv.**
 Drawing number: **PJ10.1051.03**



- A = DIN-rail L=140mm
- B = Cable conduit 25x60 L=140mm
- C = DIN-rail L=140mm
- D = Cable conduit 25x60 L=230mm
- E = Cable conduit 25x60 L=350mm

Modification	Date	Name	Date
			8-2-2011

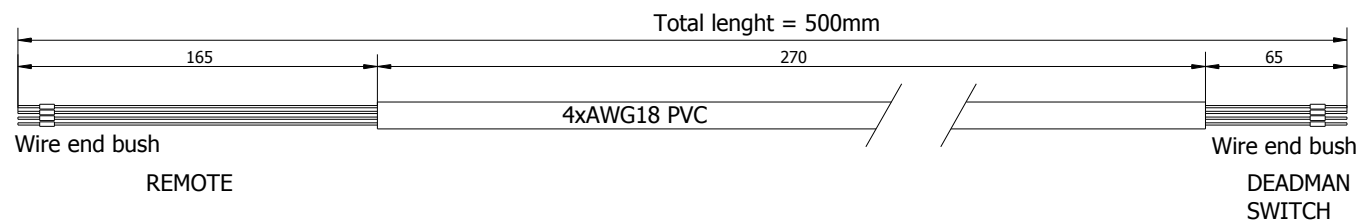
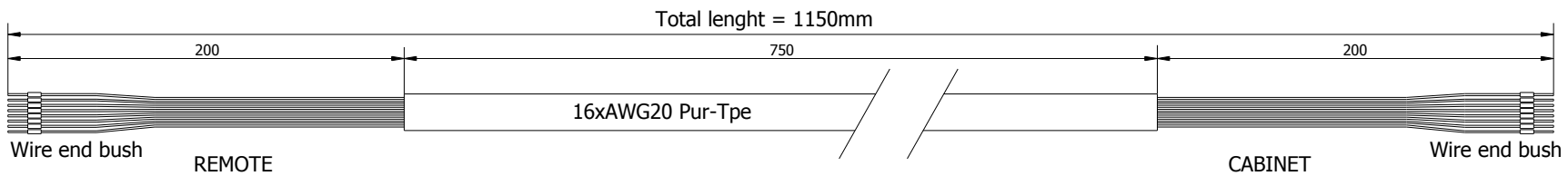
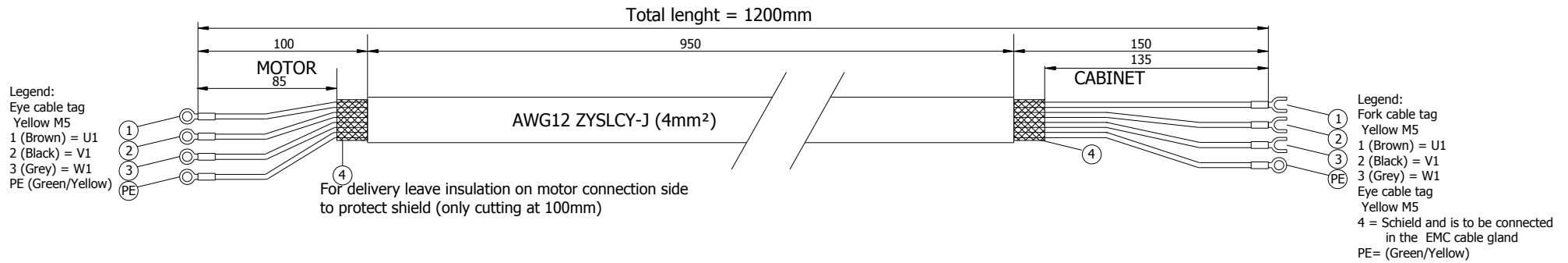
Project name:	BMG-580 SC UL 3 x 230V
---------------	------------------------



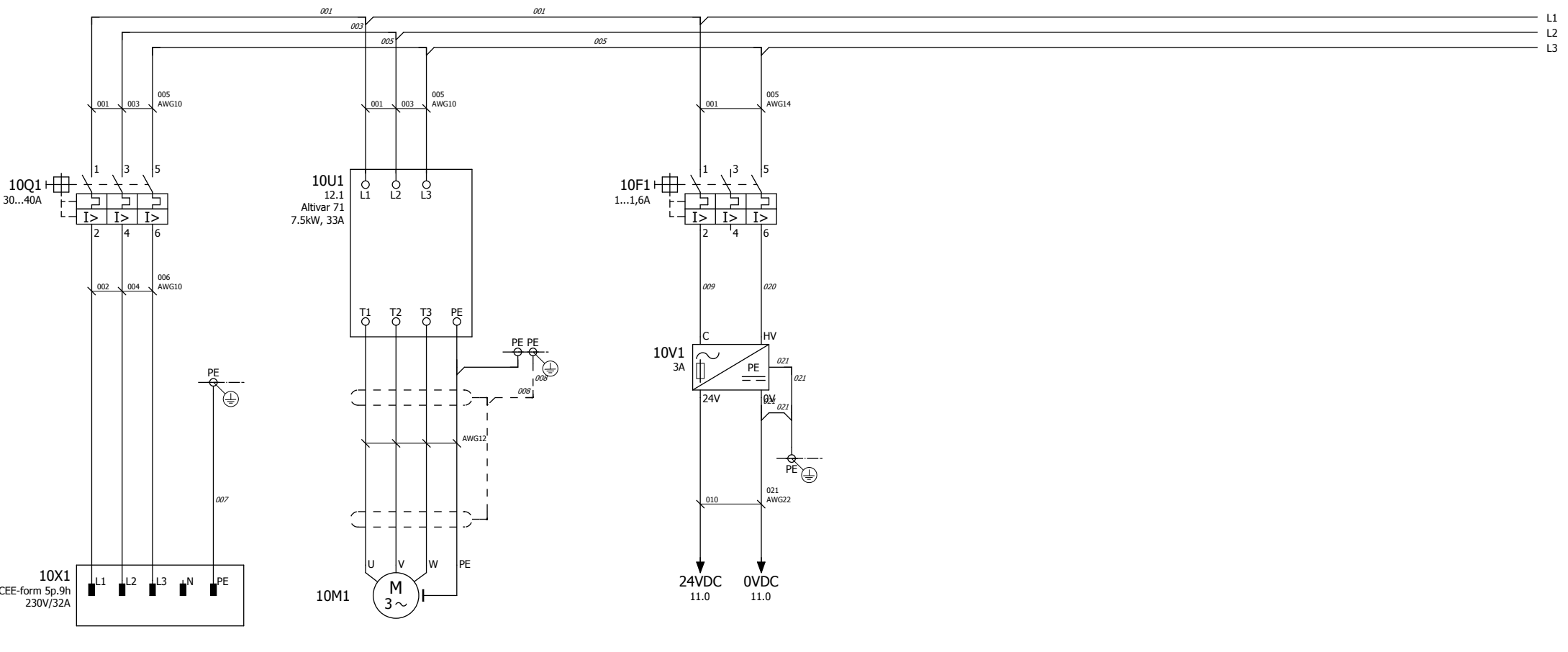
Page description:	Mounting plate
-------------------	----------------

Customer:	Blastrac bv.
Drawing number:	PJ10.1051.03

	=
	+
Page	7



			Date	19-10-2010	Project name:		Page description:	Cable set	Customer:	Blastrac bv.	=
			Ed.		BMG-580 SC UL 3 x 230V		Drawing number:		PJ10.1051.03	+	
Modification	Date	Name	Last print	8-2-2011						Page	8

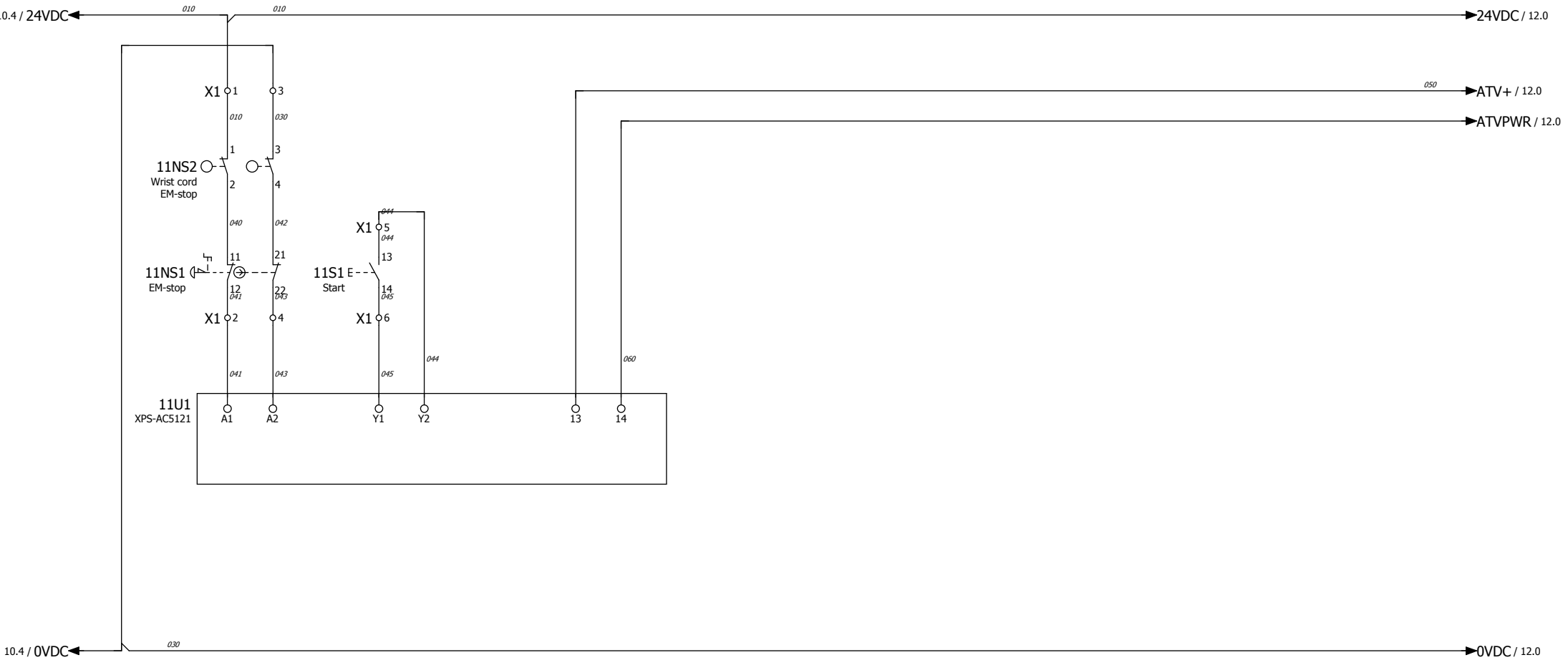


Power supply
230V 32A 60Hz

Motor 7.5kW
230V 26,4A 60Hz

Control voltage
24Vdc

			Date	8-2-2011	Project name:		BMG-580 SC UL 3 x 230V		Page description:		Customer:		Blastrac bv.		=	
			Ed.								Drawing number:		PJ10.1051.03		+	
			Appr.												Page	
Modification	Date	Name	Last print	8-2-2011											10	



Emergency stop Motor start

Modification	Date	Name	Date
			8-2-2011
			8-2-2011

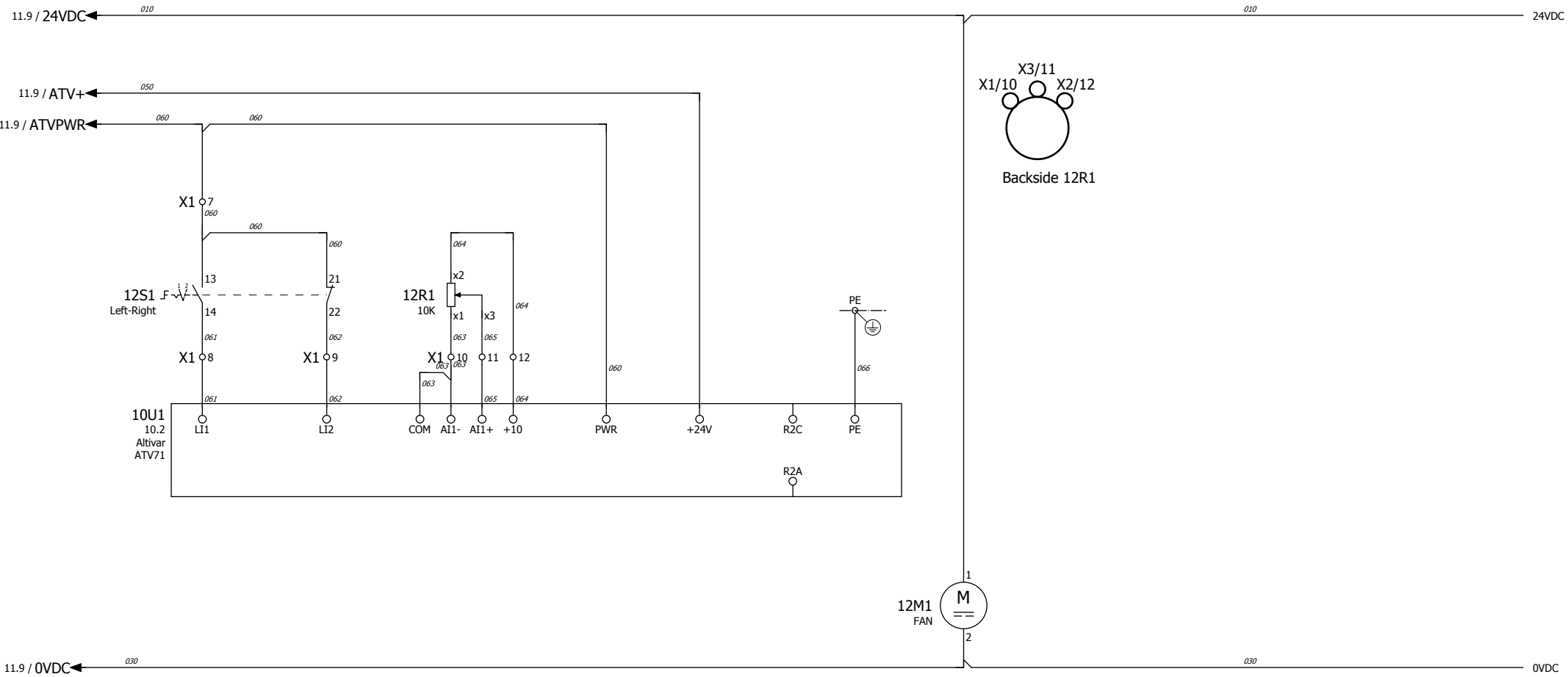
Project name:
BMG-580 SC UL 3 x 230V



Page description:
Control Current

Customer:
Blastrac bv.

Drawing number:
PJ10.1051.03



Motor CCW Motor CW Motor Speed Drive running

Modification				Date	Name	Last print	8-2-2011	Project name:	BMG-580 SC UL 3 x 230V	Page description:	Control Current	Customer:	Blastrac bv.	Drawing number:	PJ10.1051.03	Page	12
				Date													
				Ed.													
				Appr													

Parts list

device tag	Quantity	designation	Type number	part number
CAB	1	Steel enclosure 500x400x250 with mounting plate 450x350	83324 STEEL	83324
CAB	1	Blind rivet M8x16	BlindKlinkmoer M8	POPBC M8x16 st verzinkt
PG	2	Cable Gland M25*1.5 Nickel-plated EMC	50.625 M/EMV	50.625 M/EMV
PG	2	Locknut M25*1.5 Nickel-plated EMC	50.225 M/POT	50.225 M/POT
PG	1	Cable Gland M20*1.5 Nickel-plated	WARTEL L-M20*1.5	50.620 M-L
PG	1	Locknut M20*1.5 Nickel-plated	WARTELMOER M20	50.220 M
PG	1	Cable Gland M20*1.5	WARTEL PA M20*1.5	50.620 PA7035
PG	2	Locknut M20*1.5	WARTELMOER M20	50.220 PA7035
PG	2	Cable Gland M16*1.5	WARTEL PA M16*1.5	50.616 PA7035
PG	1	Locknut M16*1.5	WARTELMOER M16	50.216 PA7035
PG	1	Reduction M20 -> M16*1.5	Reduction PA M20->M16*1.5	M20M16PA
CRB	1	Enclosure RAL7035/7016 for 4 buttons	XAL D04	XAL D04
10X1	1	32A CEE-form wall outlet socket 9h IP44	ABL G52S22	G52S22
10Q1	1	Motor circuit breaker 40A 3p	TELE GV3-P40	GV3 P40
10U1	1	Frequency controller 7.5kW	ATV71 HU75 M3	ATV71 HU75 M3
10F1	1	Transformer circuit breaker 1..1.6A	GV2 RT06	GV2RT06
10V1	1	Power Supply 400/24V 3A	ABL8RPS24030	ABL8RPS24030
11U1	1	Emergency stop relay	XPS-AC5121	XPS-AC5121
11NS2	1	Safety switch + Pin	XCS-PA792 + XCS-Z11	XCS-PA792 + XCS-Z11
11NS1	1	Emergency stop	ZB5 AS844	ZB5 AS844
11NS1	2	element NC XAL	ZEN L1121	ZEN L1121
11S1	1	Pushbutton GREEN "START"	ZB5 AA333	08.01.0237
11S1	1	element NO XAL	ZEN L1111	ZEN L1111
12S1	1	Switch handle	ZB5 AD2	ZB5 AD2
12S1	1	element NC XAL	ZEN L1121	ZEN L1121
12S1	1	element NO XAL	ZEN L1111	ZEN L1111
12R1	1	Trim-pot 10K	Potmeterset 10K ZB4	Potmeterset 10K ZB4
12R1	1	Pot.meter	ZB5 AD912	ZB5 AD912
12M1	1	Fan 24Vdc	FAN 8314	FAN 80*80*32 24VDC
12M1	1	Fan filter		221-336 kast kl.beh.
12M1	1	Fan finger guard		250-1612 kast kl.beh.
X1	2	End bracket	WEID ZEW 35	9540000000
X1	1	2 Wire PE terminal 2.5mm ²	WEID ZPE 2.5/	1608640000
X1	12	2 Wire terminal 2.5mm ²	WEID ZDU 2.5	1608510000
X1	1	End plate ZDU 2.5	WEID ZAP/TW 1	1608740000